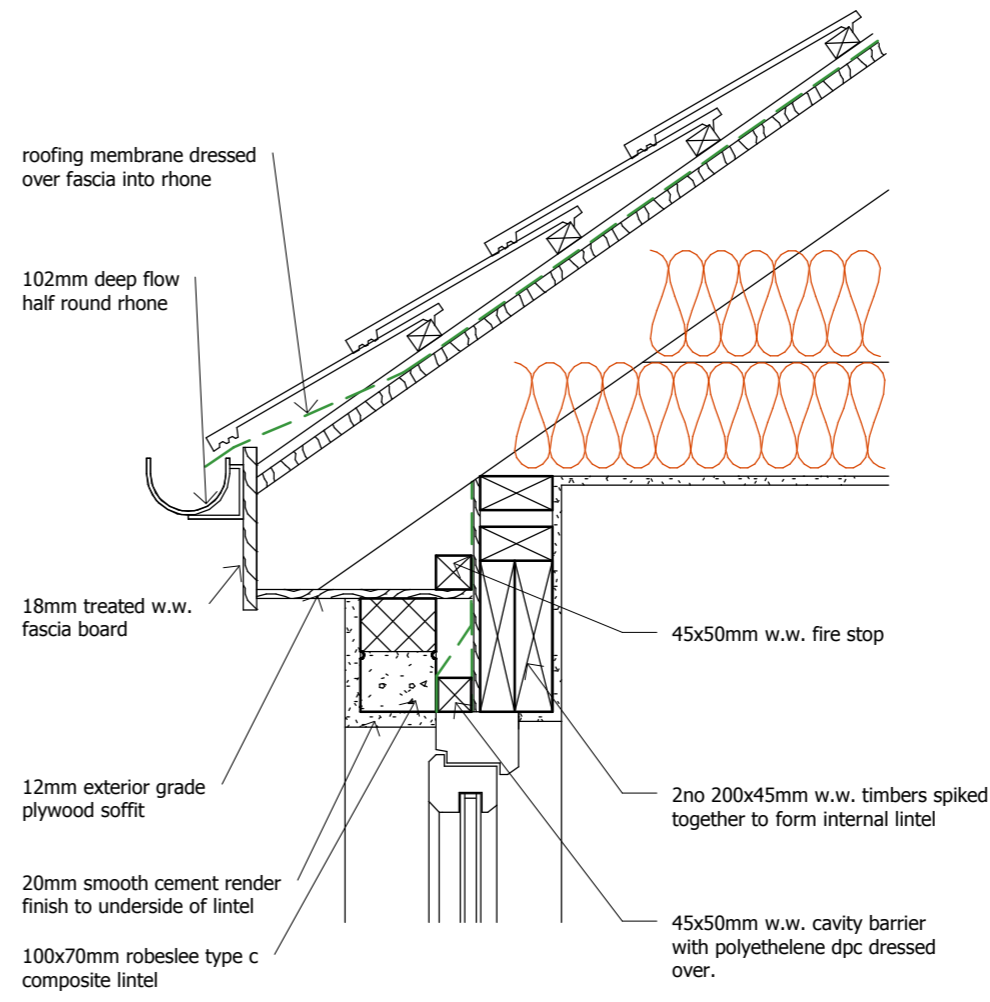
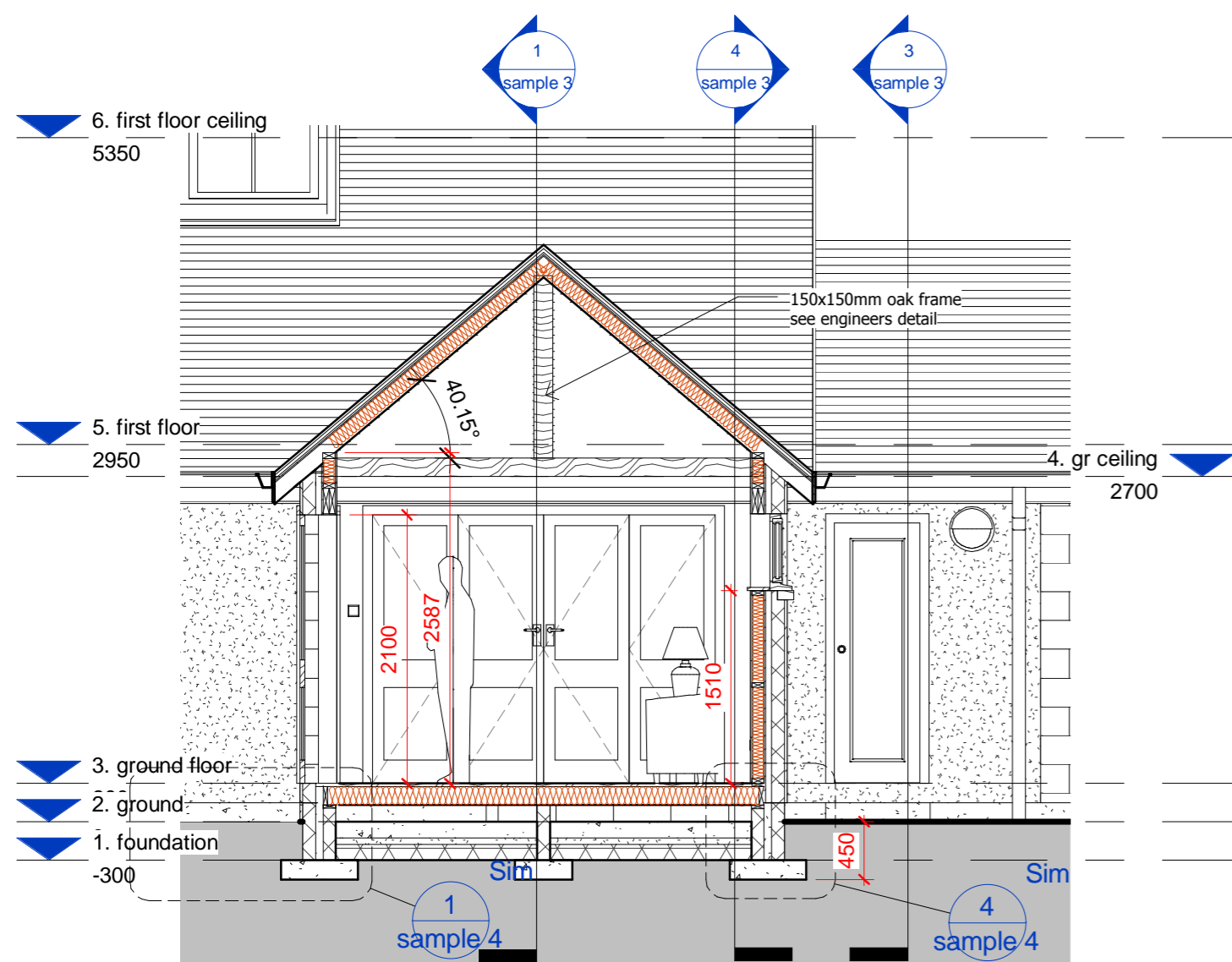
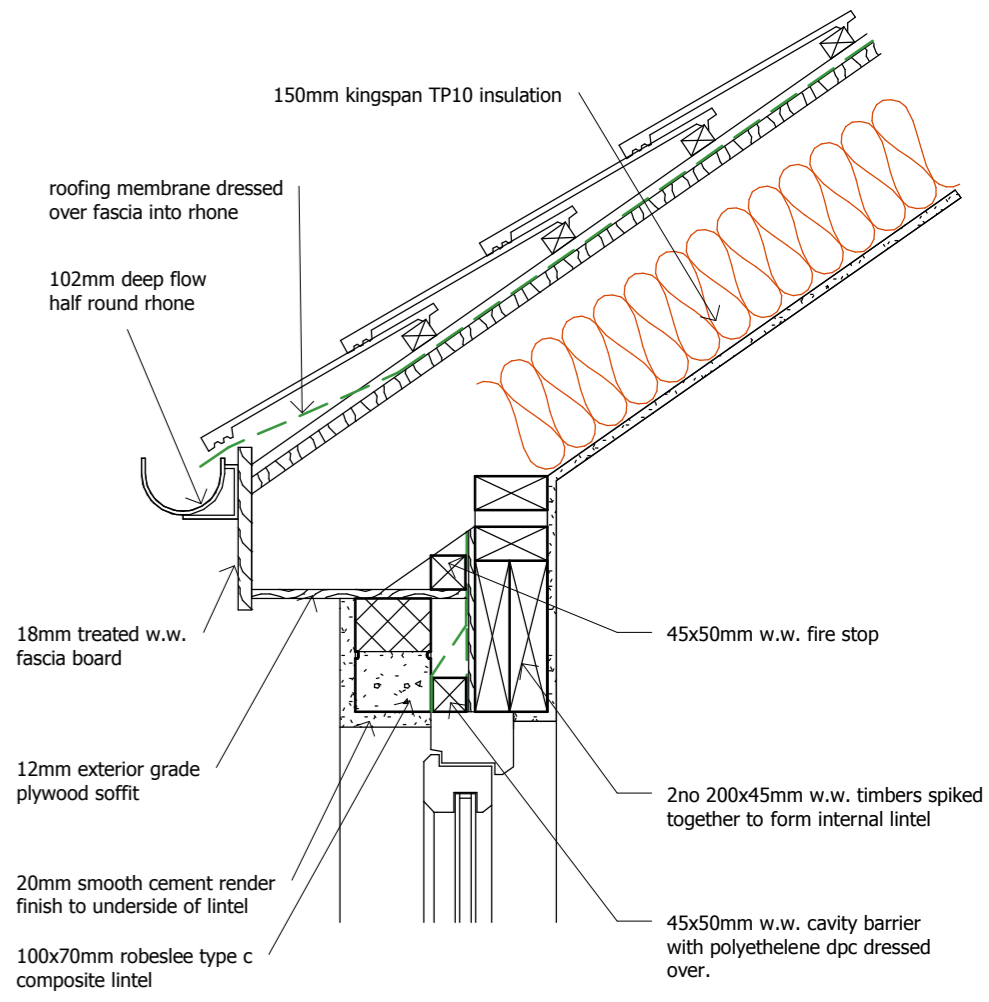


1 Section 1
1 : 50

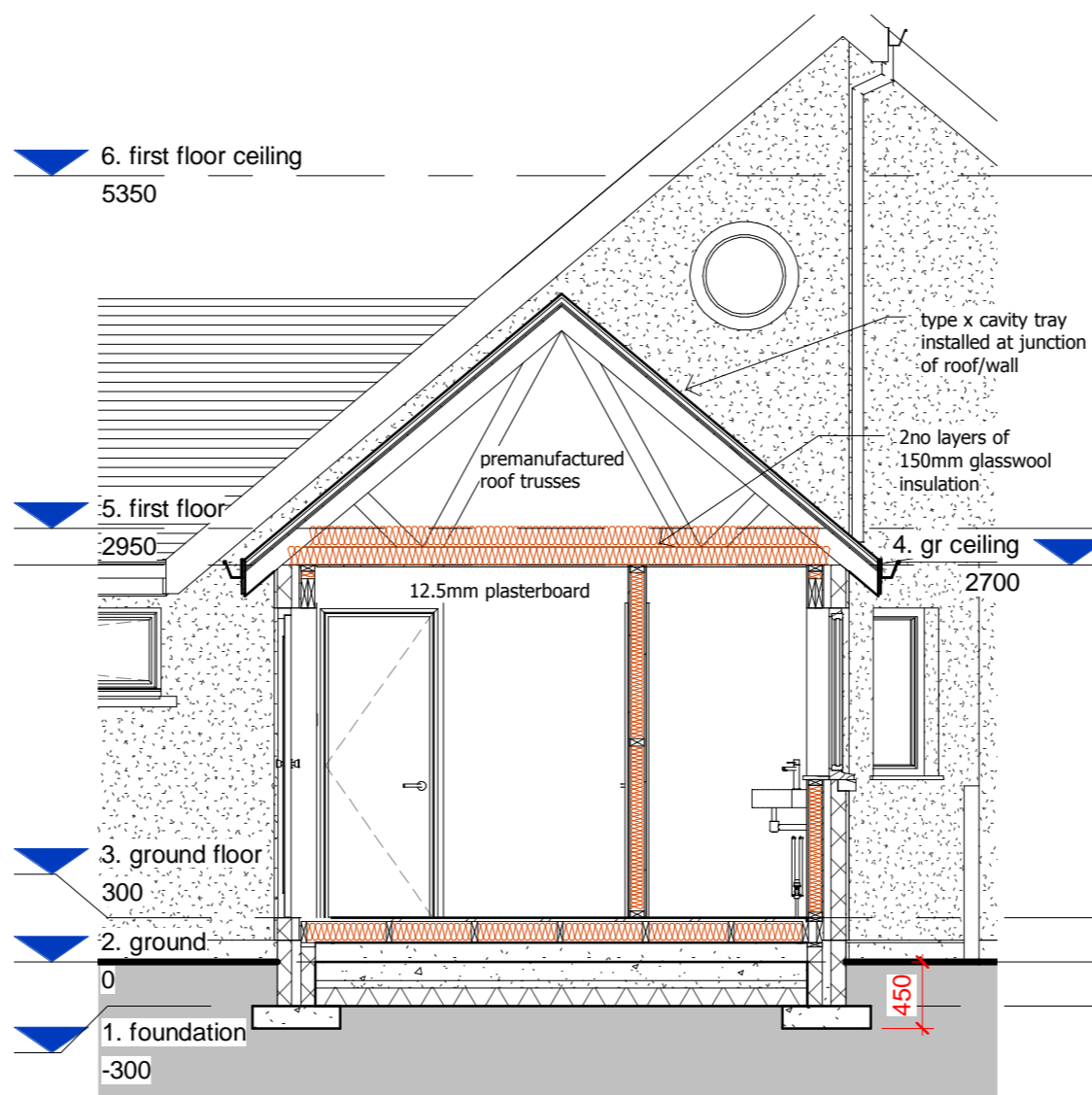
5 eaves detail
1 : 10



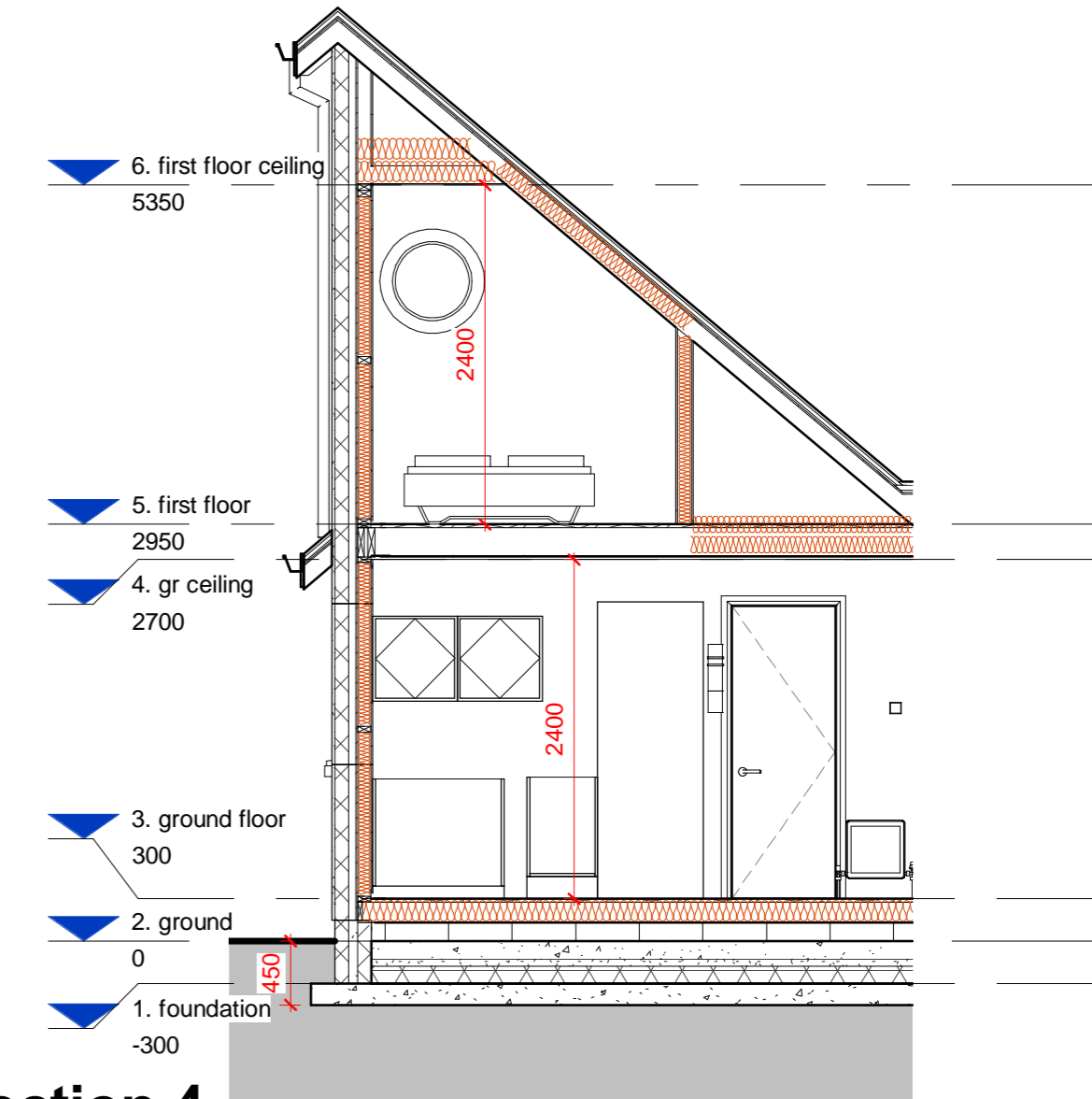
6 eaves detail 1
1 : 10



2 Section 2
1 : 50



3 Section 3
1 : 50



4 Section 4
1 : 50

Revision Schedule			cross sections	
Revision Number	Revision Description	Revision Date	Project number	sample 3
			Date	
			Drawn by	
<small>© website: info@asdesign.co.uk www.asdesign.co.uk</small>			copyright of ASDesign	ScaleAs indicated